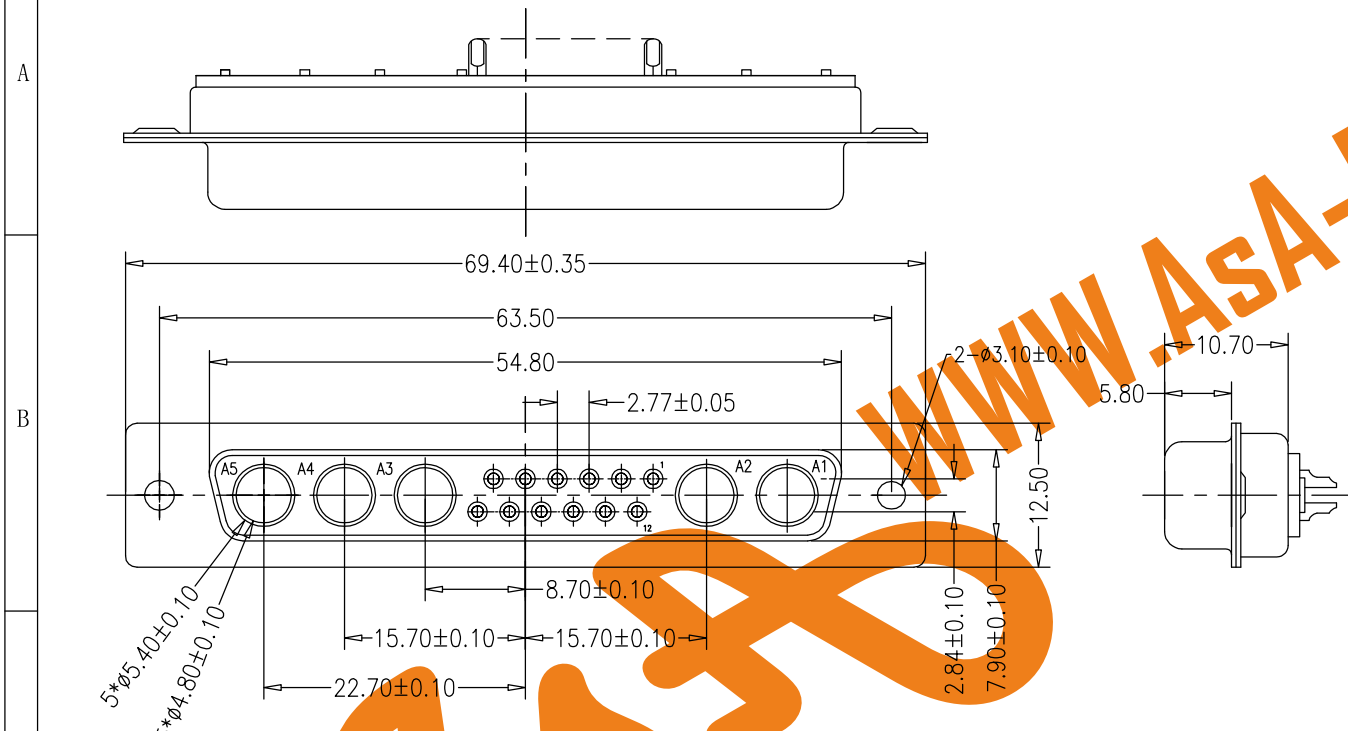


# Coaxial D-SUB 17W5 FEMALE Solder Cup

**ROHS COMPLIANT**



## ELECTRICAL CHARACTERISTICS:

Dielectric withstanding Voltage: AC 1000V r.m.s.  
 Insulation Resistance: 500 Megohms Minimum at DC 500V  
 Contact Resistance: 25 Milliohms  
 Operating Temperature: -20°C~+85°C

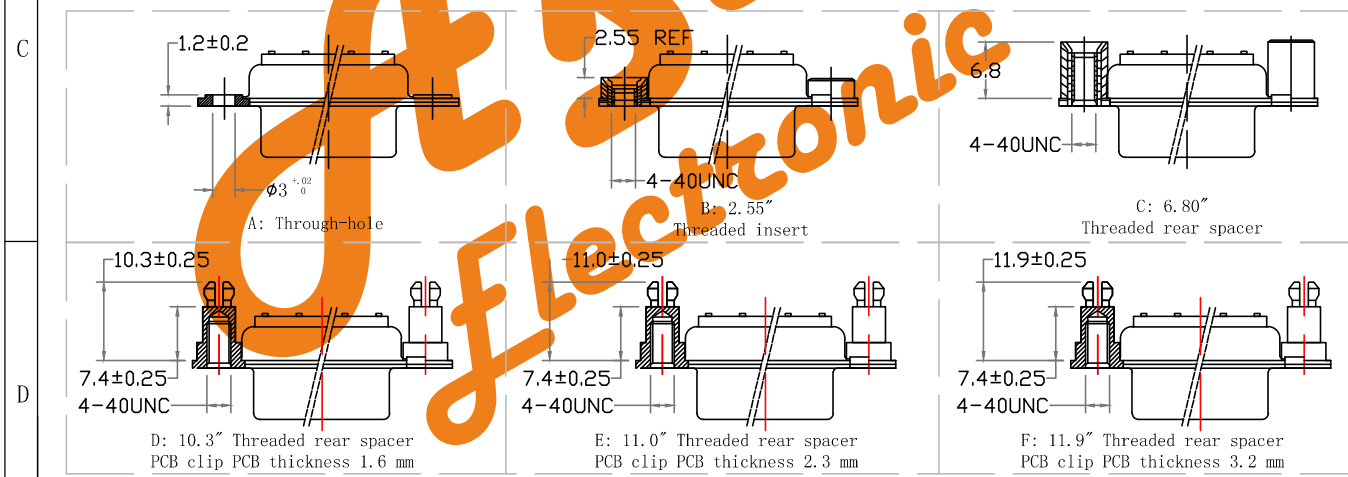
## MATERIALS:

Insulator: PBT, UL 94V-0 Rated  
 Shell: Cold Roller Steel

## Ordering Code:

PDC17W5 -F -G0 -B -X -00  
 ① ② ③ ④ ⑤ ⑥

- ① Series
- ② Contact Type:  
M: Male F: Female
- ③ Contact NO.:
- ④ Insulation Color Code:  
B: Black L: Blue W: White
- ⑤ Mounting Option:  
A: Through-hole  
B: 2.55" Threaded insert  
C: 6.80" Threaded rear spacer  
D: 10.3" Threaded rear spacer PCB clip  
E: 11.0" Threaded rear spacer PCB clip  
F: 11.9" Threaded rear spacer PCB clip
- ⑥ Series



Unless Otherwise specified tolerance  
 X.±0.35  
 X.X:±0.25  
 X.XX:±0.20  
 X.XXX:±0.15

SCALE: 1:1 UNIT: mm

DRAWN: junfon H  
 CHECKED: YANG

**AsA Electronic Co.**  
 WWW.AsA-Elec.com  
 Tel: (+98) 21 66 73 56 82 Mob: (+98) 912 03 161 02

TITLE:  
Coaxial D-SUB 17W5 FEMALE Solder Cup

DRAWING NO: PDC17W5-FXXXX00  
 PRODUCT NO: PDC17W5-FXXXX00

REV	DESCRIPTION	DATE
1	Add option of plating	12/7/17